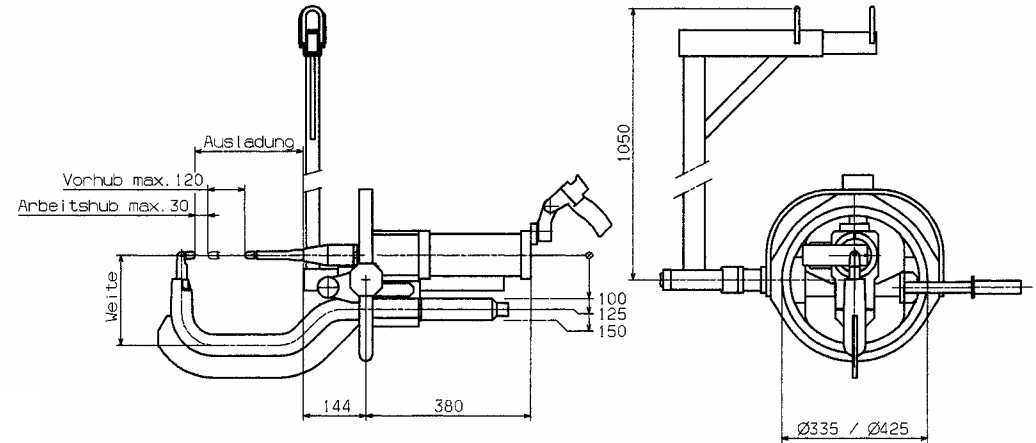


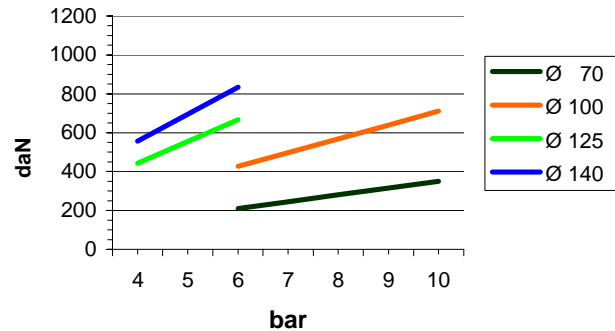
Technical Data

Gun arm \varnothing 50 mm
 Depth max. 700 mm
 Height max. 500 mm
 Throat Gap 100, 125 o. 150 mm
 Drive: Pneumatic
 max. pressure 10 bar for cylinder \varnothing 70 + \varnothing 100
 max. pressure 6 bar for cylinder \varnothing 125 + \varnothing 140
 Pneumatikzylinder \varnothing 70 cylinder force 340 daN / 10 bar
 \varnothing 100 cylinder force 710 daN / 10 bar
 \varnothing 125 cylinder force 666 daN / 6 bar
 \varnothing 140 cylinder force 830 daN / 6 bar

Measures for Series KC424



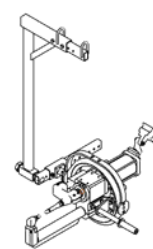
Electrode force



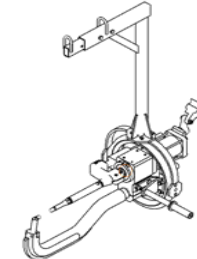
working stroke pre-stroke

max. 30 mm
 0 – 30 – 60 – 90 – 120 mm

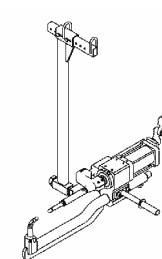
Hanging options Turn/swing (DS)



turn (D)



swing (S)



fix (SO)

